

- 1
- 2
- 3
- 4
- 5
- 6
- 7
- 8
- 9
- 10
- 11
- 12
- 13
- 14
- 15
- 16
- 17
- 18
- 19

VERSIONS

- Type **KS**: with bearing protection
- Type **KR**: with no-slip disk

Stainless steel **NI**

- AISI 303
- Hexagon nut ISO 4035, Stainless Steel AISI 304

Plastic caps:

Type **KS**

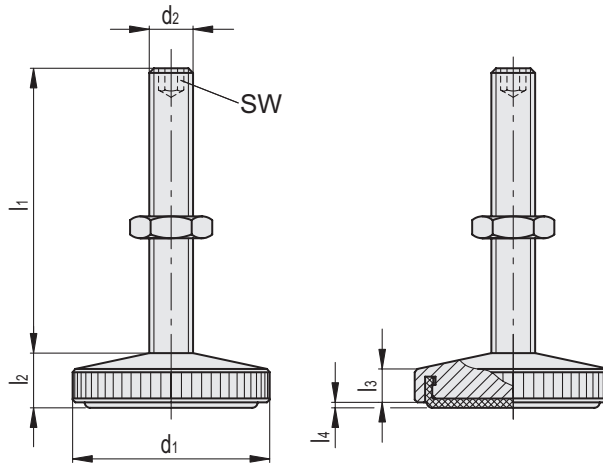
Acetal resin based (POM) technopolymer.
white (natural colour) RAL 9001

Type **KR**

Thermoplastic elastomer (TPE).
73 shore A ≈, black

INFORMATION

Levelling mount GN 339-NI are used for applications in cases where no jointed link is required between foot and adjusting screw. For this reason they offer the advantage of reduced height. The gliding and/or the non-gliding protective cap is safely fixed in the foot.



| Conversion Table | |
|-------------------|------|
| 1 mm = 0,039 inch | |
| d1 | |
| mm | inch |
| 29 | 1.13 |
| 36 | 1.40 |

GN 339-KS-NI

| Code | Description | d1 | d2 | l1 | l2 | l3 | l4 | sw | Static load [kN] | ⚖️ |
|----------|------------------------|----|------|----|----|----|-----|----|------------------|----|
| GN.74653 | GN 339-29-M6-30-KS-NI | 29 | M 6 | 30 | 8 | 5 | 0.4 | 3 | 6 | 34 |
| GN.74657 | GN 339-29-M6-45-KS-NI | 29 | M 6 | 45 | 8 | 5 | 0.4 | 3 | 6 | 36 |
| GN.74661 | GN 339-29-M8-35-KS-NI | 29 | M 8 | 35 | 8 | 5 | 0.4 | 4 | 13 | 38 |
| GN.74665 | GN 339-29-M8-55-KS-NI | 29 | M 8 | 55 | 8 | 5 | 0.4 | 4 | 13 | 48 |
| GN.74673 | GN 339-36-M8-40-KS-NI | 36 | M 8 | 40 | 9 | 6 | 0.5 | 4 | 13 | 64 |
| GN.74677 | GN 339-36-M8-65-KS-NI | 36 | M 8 | 65 | 9 | 6 | 0.5 | 4 | 13 | 72 |
| GN.74681 | GN 339-36-M10-45-KS-NI | 36 | M 10 | 45 | 9 | 6 | 0.5 | 5 | 18 | 78 |
| GN.74685 | GN 339-36-M10-70-KS-NI | 36 | M 10 | 70 | 9 | 6 | 0.5 | 5 | 18 | 88 |

GN 339-KR-NI

| Code | Description | d1 | d2 | l1 | l2 | l3 | l4 | sw | Static load [kN] | ⚖️ |
|----------|------------------------|----|------|----|----|----|-----|----|------------------|----|
| GN.74651 | GN 339-29-M6-30-KR-NI | 29 | M 6 | 30 | 8 | 5 | 0.4 | 3 | 6 | 30 |
| GN.74655 | GN 339-29-M6-45-KR-NI | 29 | M 6 | 45 | 8 | 5 | 0.4 | 3 | 6 | 32 |
| GN.74659 | GN 339-29-M8-35-KR-NI | 29 | M 8 | 35 | 8 | 5 | 0.4 | 4 | 13 | 37 |
| GN.74663 | GN 339-29-M8-55-KR-NI | 29 | M 8 | 55 | 8 | 5 | 0.4 | 4 | 13 | 43 |
| GN.74671 | GN 339-36-M8-40-KR-NI | 36 | M 8 | 40 | 9 | 6 | 0.5 | 4 | 13 | 56 |
| GN.74675 | GN 339-36-M8-65-KR-NI | 36 | M 8 | 65 | 9 | 6 | 0.5 | 4 | 13 | 65 |
| GN.74679 | GN 339-36-M10-45-KR-NI | 36 | M 10 | 45 | 9 | 6 | 0.5 | 5 | 18 | 60 |
| GN.74683 | GN 339-36-M10-70-KR-NI | 36 | M 10 | 70 | 9 | 6 | 0.5 | 5 | 18 | 80 |

Levelling feet and supports